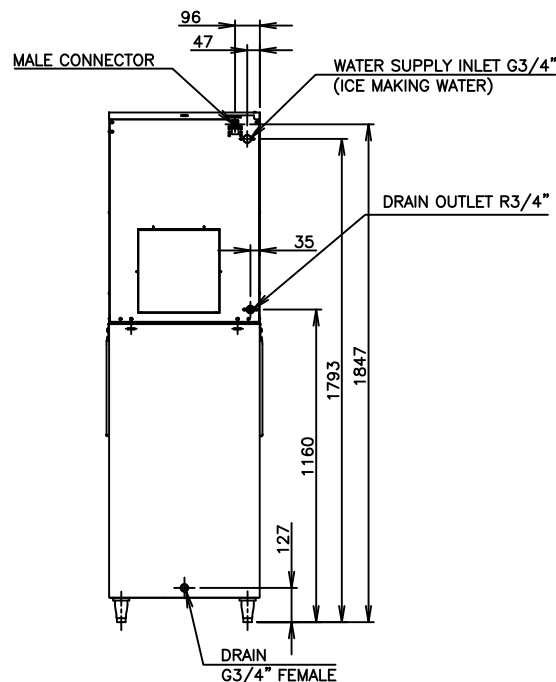
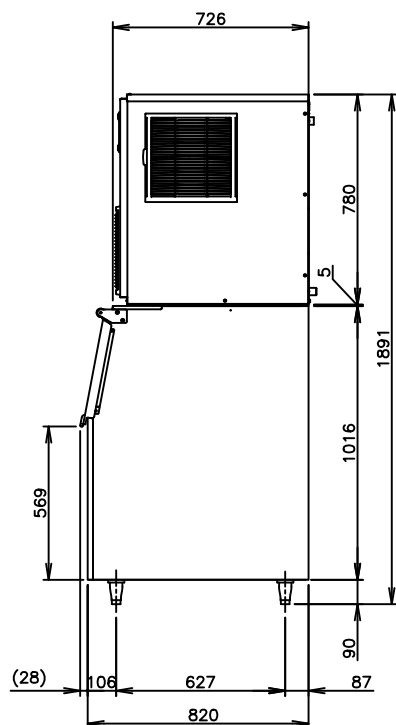
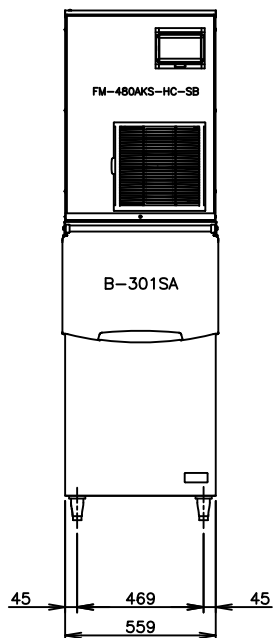


1. Install the ice maker properly in accordance with the instructions on location, water supply/drain connections and electrical connections stated in the instruction and installation manuals provided. Allow 10mm extra space at the installation site to meet any installation requirements (additional spacing is also required for proper air flow and pipe connections).
2. The ice production depends on the ambient and water temperatures. Refer to the instruction manual.

△ 3. Product code: F305-C002,F305-C003  
F305-C004,F305-C471  
G006



ITEM	HOSHIZAKI FLAKE ICE MAKER
MODEL	FM-480AKS-HC-SB-B-301SA
POWER SUPPLY	1 Phase 220-240V 50Hz Capacity: 1.80kVA (5.8A)
AMPERAGE	5.8A Starting: 30A
ELECTRIC CONSUMPTION	1200W (Power Factor:93.7%)
ICE PRODUCTION PER 24h	Approx.469kg (Ambient Temp. 10℃ Water Temp. 10℃ Approx.409kg (Ambient Temp. 21℃ Water Temp. 15℃ Approx.346kg (Ambient Temp. 32℃ Water Temp. 21℃
SHAPE OF ICE	Flake
STORAGE CAPACITY	Approx.118kg(Maximum 144kg)
WATER CONSUMPTION PER 24h	Approx.0.471m <sup>3</sup> (Ambient Temp. 10℃ Water Temp. 10℃ Approx.0.412m <sup>3</sup> (Ambient Temp. 21℃ Water Temp. 15℃ Approx.0.349m <sup>3</sup> (Ambient Temp. 32℃ Water Temp. 21℃
OUTSIDE DIMENSIONS	560mm(W) x 820mm(D) x 1891(~1921)mm(H)
INSULATION FOAM BLOWING AGENT	STORAGE BIN: Cyclopentane/CFC Free/ODP: 0/GWP: 3
HEAT REJECTION	2200W(Ambient temp.32℃ Water temp.21℃
CABINET	Stainless Steel, Galvanized Steel (Rear)
STORAGE BIN	EXTERIOR Stainless Steel, Galvanized Steel(Rear), Plastic Door INTERIOR Polyethylene
ICE MAKING SYSTEM	Thin ice forming inside Cylinder (Flake Ice)
WATER SUPPLY SYSTEM	Direct Connection to Water Main, Inlet: G3/4 (Rear)
DRAIN SYSTEM	ICE MAKER: Outlet R3/4" (Rear) STORAGE BIN: Female G3/4" (Rear)
COMPRESSOR	Hermetic
CONDENSER	Air-cooled, Micro Channel Type
EVAPORATOR	Tube coiled around Cylinder (Solder Plated)
REFRIGERANT	R290A/125g
BIN CONTROL	Actuator and Reed Switch (Time delay controlled)
ICEMAKING WATER CONTROL	Float Switch and Solenoid Valve
ELECTRICAL CIRCUIT PROTECTION	Circuit Breaker, Earth Wire
REFRIGERANT CIRCUIT PROTECTION	Compressor Internal Thermostat (Auto-reset), Pressure Switch (Auto-reset)
MECHANISM PROTECTION	Micro Switch (Manual-reset)
INTERLOCK	Shutdown by Microprocessor (Manual-reset)
WEIGHT	ICE MAKER: Net weight 92kg / Gross weight 99kg STORAGE BIN: Net weight 37kg / Gross weight 49kg
PACKAGE	ICE MAKER: Carton 665mm(W) x 820mm(D) x 950mm(H) STORAGE BIN: Carton 655mm(W) x 924mm(D) x 1138mm(H)
ACCESSORIES	Mounting Bracket, Installation Kit, Scoop, LEG
OPERATING CONDITIONS	Ambient Temp.: 5 - 40℃ Water Supply Temp.: 5-35℃ Water Supply Pressure: 0.05-0.8MPa(0.5-8bar) Voltage Range: Rated Voltage ±10%

\*We reserve the right to make changes in specifications and design without prior notice.

# HOSHIZAKI FLAKE ICE MAKER FM-480AKS-HC-SB-B-301SA

APPROVED YAMAMOTO	CHECKED MTX	DESIGNED MTX	DRAWN LY	SCALE 1/20	TRIGONOMETRY
YAMAMOTO	LXF	△	2026.03.31	DATE 2026.01.29	DRAWING NO. D44529
APPROVED	DESIGNED	SYMBOL	DATE		SYMBOL △